

SERIES 9 CONSOLES

SERIES 9 CONSOLES

Catalog No.	Enclosure Product Code C1				Qty	Subpanel (P3)		
	Height (A)	Width (B)	Depth (C)	Industry Standard		Catalog No.	Panel Height (D)	Panel Width (E)
SCE-924B	48.00	24.00	18.00	IS3	3	SCE-30P20	27.00	17.00
SCE-936B	48.00	36.00	18.00	IS3	2	SCE-30P20 & SCE-30P30	27.00	17.00
					1	SCE-30P30	27.00	27.00

Application

Designed for electronic controls and instruments. Equipment can be mounted on the sloping control panel door. Interior components mount to stationary panels. Provides protection from dirt, oil, dust and water. For installation information, consult our installation manual at www.saginawcontrol.com

Construction

- 0.075" carbon steel.
- Sloping control panel door attached with concealed hinge on bottom edge.
- Door opens to 90 degree.
- Black zinc die cast keylocking/padlocking handle.
- 3-point latching mechanism.
- Seams continuously welded and ground smooth.
- Pour in place oil and water resistant gasket on door.
- Interior print pocket.
- Optional back and side panels are mounted on collar studs.
- Removable eyebolts.
- Ground stud on door and body.
- Hole plugs provided to seal holes in bottom of enclosure.

Finish

ANSI-61 gray powder coated inside and out. Optional panels are powder coated white.

IS3 Industry Standards

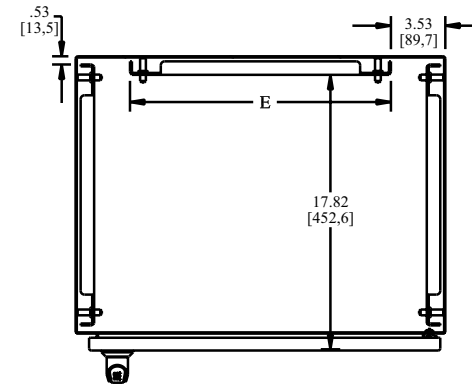
NEMA Type 3R, 12 & Type 13
UL Listed Type 3R & 12
CSA Type 3R & 12
IEC 60529 IP55

***To maintain Type 3R listing, drainage is required. Install equally rated drainage device or drill a 1/8 to 1/4 inch hole in the bottom center of the enclosure, approximately 1 inch from the right, and 1 inch from the left for drainage, use listed rain-tight or wet location hubs.

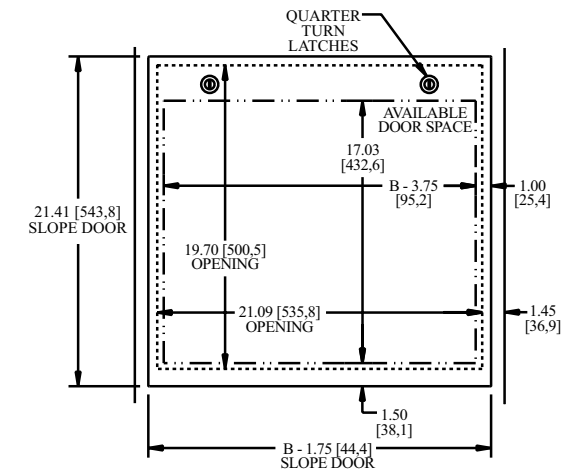


SERIES 9 CONSOLES

TECHNICAL DATA



SECTION A-A



VIEW B-B

